

3RXXXS-6×8 Series

Features

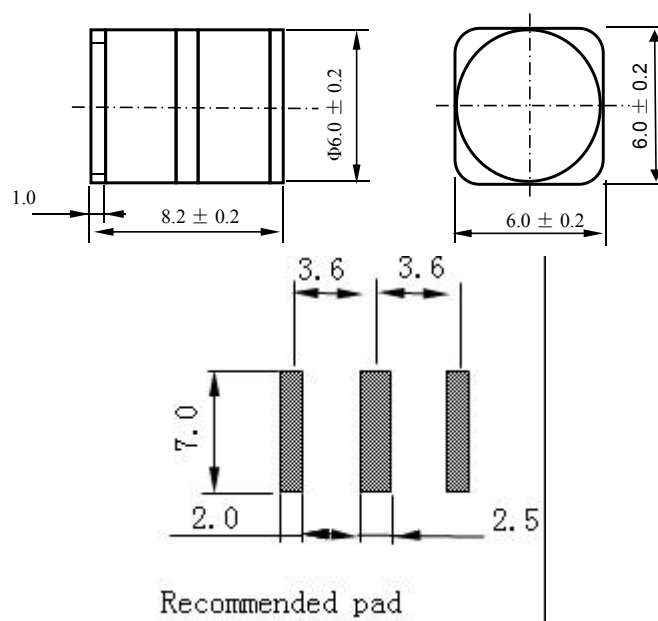
- Size:6mm*8.2mm
- Stable breakdown voltage.
- High insulation resistance.
- Low capacitance ($\leq 1\text{pF}$)
- High holdover voltage
- Storage and operational temperature: $-40^{\circ}\text{C} \sim +90^{\circ}\text{C}$

Applications

- Transient Voltage Surge Suppression(TVSS)
- Cable Telephone Product
- Modems/Cable Modems
- Broadband/CATV/Coaxial Protectors
- Communication Lines
- Power Supplies

Specification Status:Draft

(mm)



Electrical Characteristics (TA = 25 °C unless otherwise noted)

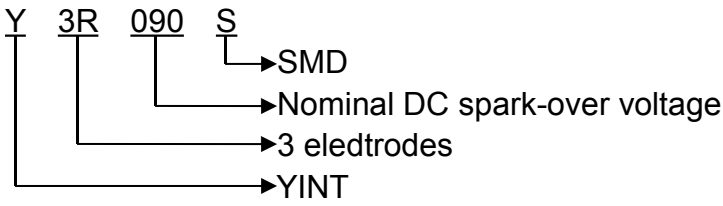
Part Number	DC Breakdown Voltage	Tolerance	Impulse Spark-over Voltage	Impulse Discharge Current 10hits(5hits each polarity)	AC Discharge Current 5 hits	Insulation Resistance*	Capacitance
	100V/s	of Vs	1kv/ μs	8/20 μs	50Hz	G Ω	1MHz
3R075S-6×8	75V	$\pm 20\%$	$\leq 600\text{V}$	10KA	10A	≥ 10	$\leq 1\text{pF}$
3R090S-6×8	90V	$\pm 20\%$	$\leq 600\text{V}$	10KA	10A	≥ 10	$\leq 1\text{pF}$
3R150S-6×8	150V	$\pm 20\%$	$\leq 600\text{V}$	10KA	10A	≥ 10	$\leq 1\text{pF}$
3R200S-6×8	200V	$\pm 20\%$	$\leq 700\text{V}$	10KA	10A	≥ 10	$\leq 1\text{pF}$
3R230S-6×8	230V	$\pm 20\%$	$\leq 700\text{V}$	10KA	10A	≥ 10	$\leq 1\text{pF}$
3R300S-6×8	300V	$\pm 20\%$	$\leq 900\text{V}$	10KA	10A	≥ 10	$\leq 1\text{pF}$
3R350S-6×8	350V	$\pm 20\%$	$\leq 1000\text{V}$	10KA	10A	≥ 10	$\leq 1\text{pF}$
3R400S-6×8	400V	$\pm 20\%$	$\leq 1000\text{V}$	10KA	10A	≥ 10	$\leq 1\text{pF}$
3R470S-6×8	470V	$\pm 20\%$	$\leq 1200\text{V}$	10KA	10A	≥ 10	$\leq 1\text{pF}$
3R600S-6×8	600V	$\pm 20\%$	$\leq 1400\text{V}$	10KA	10A	≥ 10	$\leq 1\text{pF}$

1)At delivery AQL 0.65 leave II Military Standard 105 E.

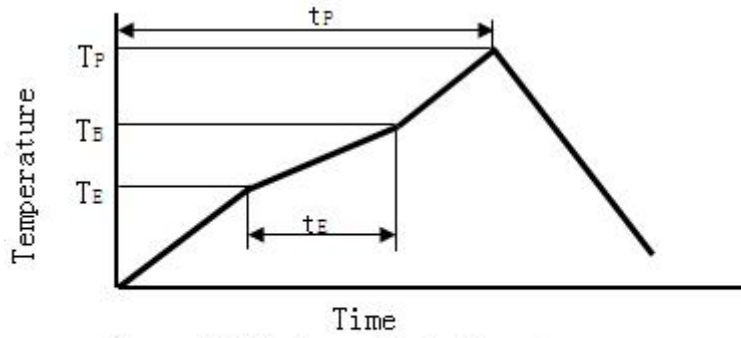
2)In ionized mode

3)Test according to ITU-T Rec.k.12

Marking

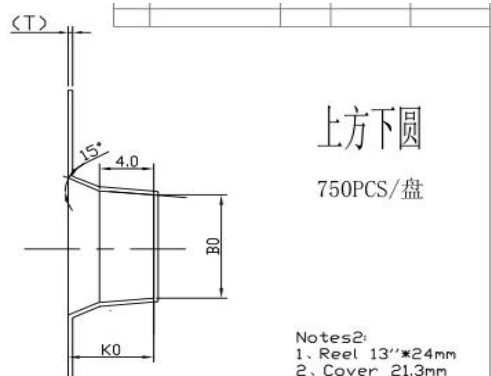
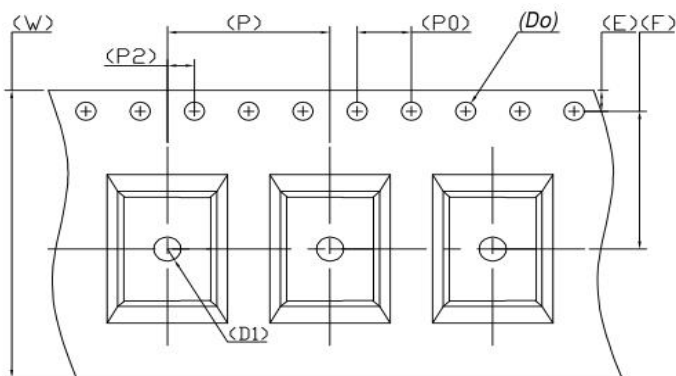


Reflow soldering curve

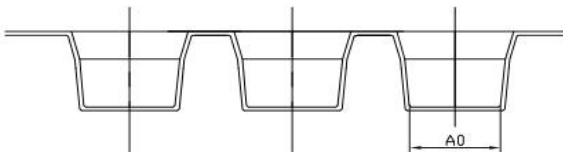


$T_E \text{ max}=180^\circ\text{C}$ $t_E \text{ max}=60\text{s}$ (at $T_E \text{ max}$)
 $T_B \text{ max}=220^\circ\text{C}$
 $T_P \text{ max}=250^\circ\text{C}$ $t_P \text{ max}=300\text{s}$ $t_P \text{ max}=220\text{s}$ (typical)

Package



Notes:
1. Reel 13"×24mm
2. Cover 21.3mm
3. Carrier tape 9.75m/13"reel
750pcs/roll



W	24.00±0.30	P	12.00±0.10	A0	6.50±0.10	B0	8.60±0.10
		P0	4.00±0.10			B1	
E	1.75±0.10	P2	2.00±0.10	K0	6.30±0.10		
F	11.50±0.10	D0	∅1.50±0.10				
T	0.50±0.05	D1	∅1.50 MIN				COLOR : B